

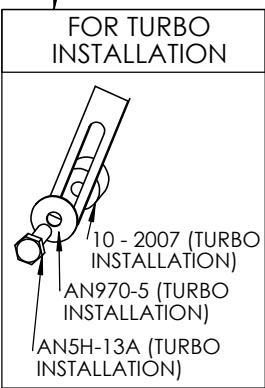
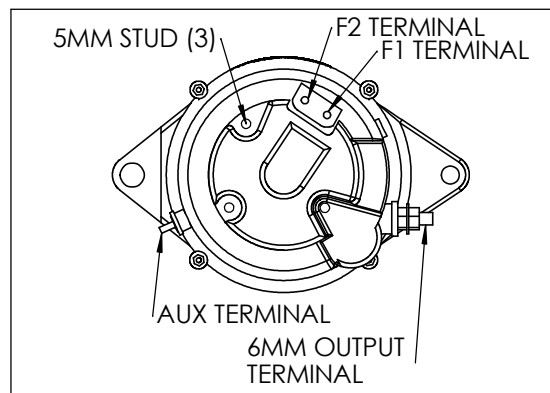
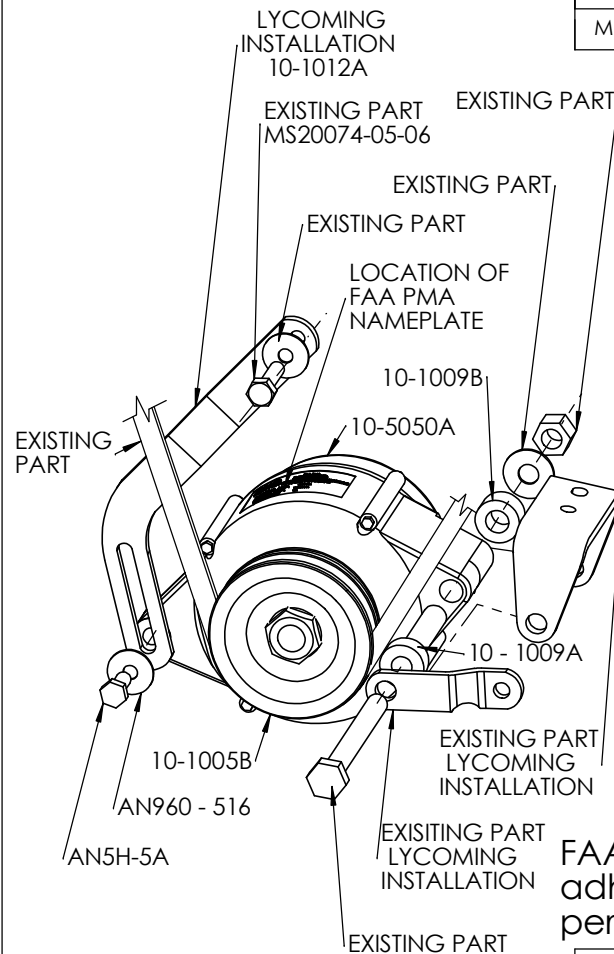
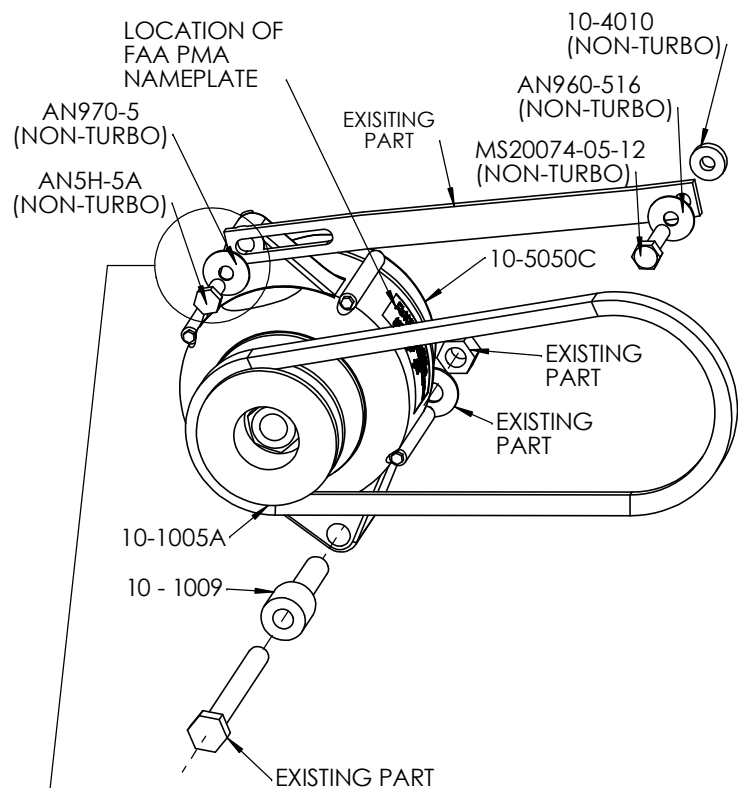
NOTE: ON LYCOMING INSTALLATION, SAFETY WIRE TENSION ARM BOLTS (MS20074 - 05 - 06 & AN5H-5A, OR ON CONTINENTAL INSTALLATION, SAFETY WIRE TENSION ARM BOLTS AN5H-5A & MS2007 - 05 - 12. FOR CONTINENTAL TURBO INSTALLATION, SAFETY WIRE TENSION ARM BOLT AN5H-13A) WITH .032" SAFETY WIRE.

### REVISIONS

LTR.	DESCRIPTION	DATE	APR.
H	ADDED CONTINENTAL ALTERNATOR INSTALLATION AL24-F60C	6/06/06	SJK
J	CLARIFIED MODEL NUMBERS AND CORRECTED TYPO	11/15/06	SJK
K	ADDED 10-1012, REMOVED MS20074-05-07, AND UPDATED NOTE	9/14/07	SJK
L	UPDATED DRAWING TO SHOW INSTALLATION VIEW FOR AL24-F60C	1/08/08	SJK
M	UPDATED VIEW OF AL24-F60	6/18/08	SJK

## MODEL: AL24 - F60C (FOR CONTINENTAL INSTALLATION)

## MODEL: AL24 - F60 (FOR LYCOMING INSTALLATION)



2.5

1.3

**Plane Power** FAA PMA PLANE POWER, LTD.  
For eligibility see [www.plane-power.com/catalog](http://www.plane-power.com/catalog) or call 1-877-934-5700

**MODEL NO. AL24-F60C**  
**SERIAL NO. 4V-YWWSN**  
**VOLTAGE 24**

2.5

1.3

**Plane Power** FAA PMA PLANE POWER, LTD.  
For eligibility see [www.plane-power.com/catalog](http://www.plane-power.com/catalog) or call 1-877-934-5700

**MODEL NO. AL24-F60**  
**SERIAL NO. 4V-YWWSN**  
**VOLTAGE 24**

FAA PMA nameplate material to be adhesive backed Silver Polyester with permanant thermal print

INSTALLATION AND CONTINUED AIRWORTHINESS INSTRUCTIONS ON REVERSE SIDE

**PLANE POWER, LTD.**  
GRANBURY, TEXAS

AL24 - F60/AL24 - F60C  
INSTALLATION INSTRUCTIONS

DRAWN BY: B. JOWERS DATE: 2/15/05

MATERIALS: DWG. NO. 10 - 7001 REV. M

# **Part No. 10-7001**

## **Installation Instructions**

1. Disconnect aircraft battery.
2. Install alternator per included drawing.
3. Refer to appropriate engine and airframe service manuals for belt tension and bolt torques.
4. Install battery wire with MS25171-2S terminal nipple on 6mm output terminal and torque to 50 in. lb.
5. Install ground wire to any of the three 5mm studs on rear of alternator and torque to 35 in. lb.
6. Install field wire with MS25171-1S terminal nipple to F1 terminal on rear of alternator and torque to 20 in. lb.
7. NOTE: F2 terminal to remain grounded with ground strap UNLESS aircraft voltage regulator is a type "A" regulator using a 2-wire field circuit, in this case remove and discard ground strap from F2 terminal and connect wiring from voltage regulator to F1 and F2 terminals, torque to 20 in. lb.
8. If aircraft is equipped with an "alternator out light" circuit, connect that wire to the AUX terminal and torque to 20 in. lbs. Other wise leave AUX terminal open.
9. Reconnect aircraft battery.
10. Start aircraft and check alternator output for proper operation.

## **Instructions For Continued Airworthiness**

Annual / 100 hour inspections:

1. Remove drive belt and turn alternator rotor to check condition of bearings for abnormal noise or roughness.

5 year or 1,000 hour intervals:

1. Repeat: Annual / 100 hour inspection.
2. Remove field brush assembly and inspect brushes for excess wear. Replace brush assembly if brushes extend less than .250" from edge of brush holder case.